

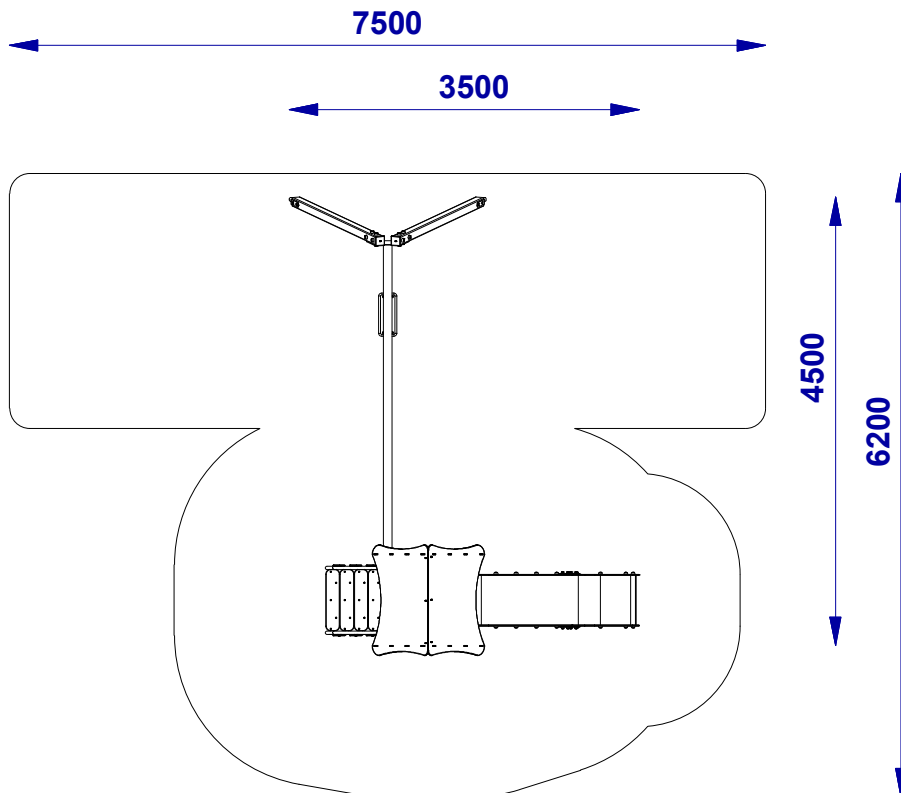
● 8084A WOODEN SET



● Technical data:

| | |
|----------------------------|-------------|
| Dimensions | 4,5 x 3,5 m |
| Safe zone | 7,5 x 6,2 m |
| Total height | 3,1 m |
| Free fall height | 1,3 m |
| Age | 1+ |
| Conformity with PN-EN 1176 | YES |
| Platform | 1x 1,0 m |
| Slide | 1x 1,0 m |

● 8084A WOODEN SET



| Set contents: | |
|---------------------|------|
| Module: | Qty: |
| 101.23 DN_W4D2_1000 | 1 |
| 102.02 DN_D2 | 1 |
| 103.01 DN_B | 2 |
| 116.03 DN_SL_1000 | 1 |
| 153.02 DN_SCH_1000 | 1 |
| 165.01 DN_H1 | 1 |

| | | |
|---------------------|---|---|
| Construction | Galvanized and powder coated steel | |
| | Stainless steel | |
| | Square 90x90 glued laminated timber, impregnated | ✓ |
| Connectors | Stainless and galvanized | ✓ |
| | | ✓ |
| Decorative elements | Polyethylene plastic (HDPE) | ✓ |
| | Polycarbonate (PC) | |
| | Hardwood plywood painted with certified chalkboard paint | |
| Metal elements | Galvanized and powder coated steel | ✓ |
| | Stainless steel | |
| Slide | Stainless steel with polyethylene plastic (HDPE) | ✓ |
| | Whole polyethylene plastic (LLDPE) | |
| | Whole stainless steel | |
| Ropes | Polypropylene rope with steel core | |
| Rope connectors | Aluminum and polyamide | |
| Caps | Polyamide | ✓ |
| Platforms | Polyethylene plastic (HDPE) with antiskid layer | ✓ |
| | Grooved board made of solid wood | ✓ |
| Anchoring | Construction elements - 800 mm in ground | |
| | Powder coated steel post - 800 mm in ground | ✓ |
| Chain | Stainless steel | ✓ |
| | Galvanized steel | |
| Slings | Stainless steel with bearings | ✓ |
| Seats | Flat with aluminum core, covered with rubber, certified | ✓ |
| | Bucket with aluminum core, covered with rubber, certified | |
| | Rope "Birds nest" with metal core, certified | |
| Spring | 20 x 200 x 400 mm - certified | |

In relation to free fall height / HIC, norm PN-EN 1176-1 allow the following impact absorbing surfaces.

| Material | Grain size [mm] | Depth [mm] | Critical fall height [mm] |
|------------|--------------------------------|------------|---------------------------|
| Turf | - | - | ≤1000 |
| Bark | 20 - 80 | 200 | ≤2000 |
| | | 300 | ≤3000 |
| Wood chips | 5 - 30 | 200 | ≤2000 |
| | | 300 | ≤3000 |
| Sand | 0,2 - 2 | 200 | ≤2000 |
| | | 300 | ≤3000 |
| Gravel | 2 - 8 | 200 | ≤2000 |
| | | 300 | ≤3000 |
| Other | as tested to HIC (see EN 1177) | | as tested |

It is required to put particular emphasis on the level of loose surface material, fill in to the proper level regularly and remove the items that may cause injury (glass, loose stones, sticks and other loose objects).

Proposal visualisation. Colors can be different. Ask for available options.